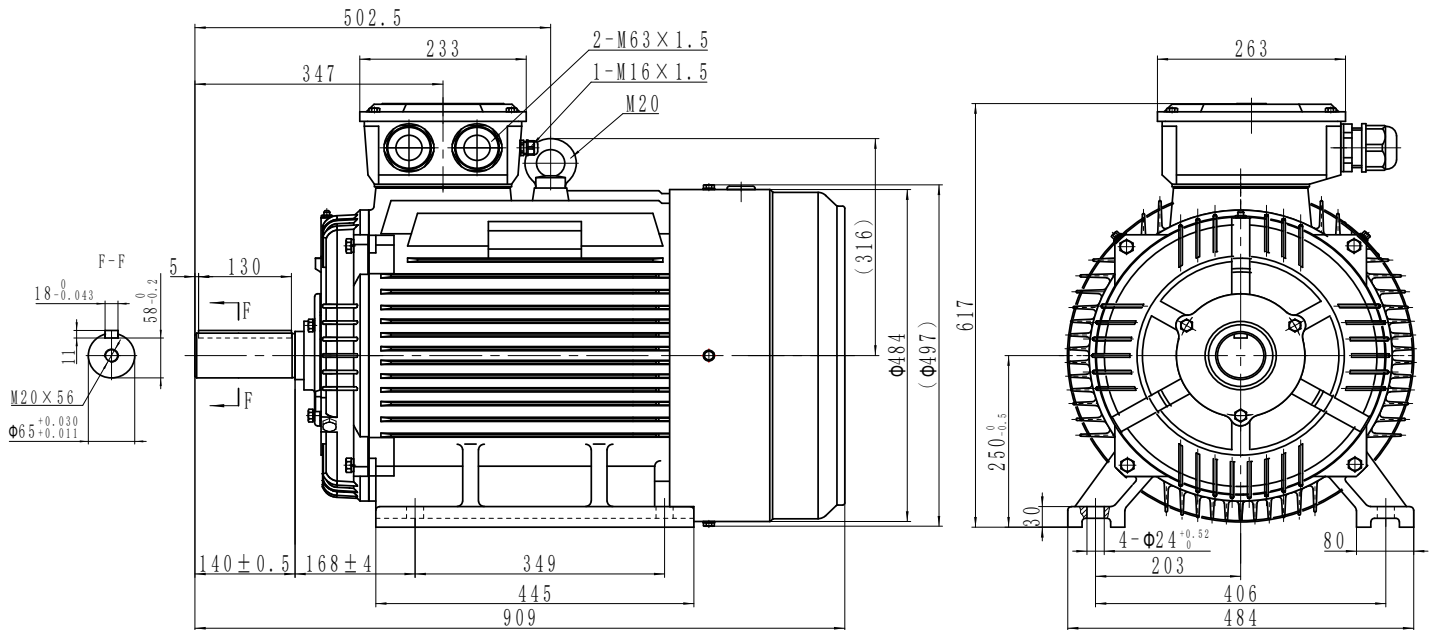


TECHNICAL DATA

Three Phase Electric Motors-Cast iron Frame - PM2C250

IE2
Motor

High Efficiency



Type	PM2C250
Frame Size	250M
Capacity	55kW
Speed / Pole	1480 RPM / 4 Pole
Mounting Position	IMB3
Insulation Class	F
Protection Class	IP55
Duty Cycle	S1 Continuous
Temperature Rise Class	B
Ambient temp. (°C)	45°C
Cooling method	IC411 self-Ventilated

Efficiency	IE2 Efficiency (93.5%)
Power Factor COS (phi)	86%
I-starting / I-nominal	7.4
T-starting / T-nominal	2.2
T-max/Tn	2.3
Full Load Torque	354Nm
Thermal protection	PTC thermistor
Noise	71dB
Bearing DE	SKF 6314
Bearing NDE	SKF 6313
Weight (kg)	452

Electrical data:

Rated Power (kW)	55	53.3	66	64			
Frequency (Hz)	50	50	60	60			
Voltage (V)	400	690	380	660	480	830	440
Speed (RPM)	1480	1480	1480	1480	1775	1775	1775
Connection	Δ	Y	Δ	Y	Δ	Y	Δ
Full load current (A)	99	57.4	102	58.7	99	57.4	103